



USER'S GUIDE

Customer Display

DSP-A01 SERIES

Read this USER'S GUIDE carefully before using Display.
Keep this USER'S GUIDE in a place where it can be accessed quickly.

Seiko Instruments Inc.

Rev.01 July 2019
Rev.02 October 2019
Rev.03 September 2021
Rev.04 June 2024

Copyright ©2019-2024 by Seiko Instruments Inc.

All rights reserved.

The information contained herein is the property of SII and shall not be reproduced in whole or in part without prior written approval of SII.

SII reserves the right to make changes in the specifications and materials contained herein without notice and shall not be responsible for any damages (including consequential) caused by reliance on the materials presented, including but not limited to typographical, arithmetic, and listing errors.

This product is developed as a product for industrial equipment use.

SII ● is a trademark of Seiko Instruments Inc.

Android™ is a trademark of Google LLC.

IOS is a trademark or registered trademark of Cisco in the U.S. and other countries and is used under license.

Microsoft® and Windows® are registered trademarks of Microsoft Corporation in the U.S., Japan, and other countries.

Bluetooth® is a registered trademark of Bluetooth SIG, Inc.

The software of this product is based in part on the work of the independent JPEG Group.

All other trademarks are the properties of their respective companies.

Applicable EC Directive and Standards

Product: Display DSP-A01

<u>Directive:</u>	<u>Title</u>
2014/30/EU	EC Electromagnetic Compatibility Directive
2011/65/EU (Commission Delegated Directive (EU) 2015/863)	Restriction of the use of certain hazardous substances (RoHS) Directive

Standards

EN 55032
EN 55024
EN IEC 63000



Applicable UK Directive and Standards

Product: Display DSP-A01

Directive:
Electromagnetic Compatibility Regulations 2016
The Restriction of the Use of Certain Hazardous Substances in Electrical and Electronic Equipment Regulations 2012

Standards

BS EN 55032
BS EN 55024
BS EN IEC 63000



Federal Communications Commission (FCC) compliance statement

NOTE: This equipment has been tested and found to comply with the limits for a Class A digital device, pursuant to part 15 of the FCC Rules. These limits are designed to provide reasonable protection against harmful interference when the equipment is operated in a commercial environment. This equipment generates uses and can radiate radio frequency energy and, if not installed and used in accordance with the instruction manual, may cause harmful interference to radio communications. Operation of this equipment in a residential area is likely to cause harmful interference in which case the user will be required to correct the interference at his own expense.

The changes or modifications not expressly approved by the party responsible for compliance could void the user's authority to operate the device.

Innovation, Science and Economic Development (ISED) compliance statement

This device contains licence-exempt transmitter(s)/receiver(s) that comply with Innovation, Science and Economic Development Canada's licence-exempt RSS(s). Operation is subject to the following two conditions:

- (1) This device may not cause interference.
- (2) This device must accept any interference, including interference that may cause undesired operation of the device.

1. INTRODUCTION

This manual describes how to handle DSP-A01 series customer display (hereinafter referred to as Display).

Read through "2. SAFETY PRECAUTIONS" and "3. OPERATING PRECAUTIONS" carefully before using the products, and handle them safely and properly.

Keep this manual in a safe place for quick reference.

Seiko Instruments' printer supported by Display is as follows.



- RP-F10 series

This manual consists of the following sections.

1. INTRODUCTION	1
2. SAFETY PRECAUTIONS.....	2
3. OPERATING PRECAUTIONS.....	5
4. IDENTIFYING MODEL TYPE.....	7
5. DISPLAY MODE	8
6. EACH PART OF DISPLAY	9
7. PREPARATION.....	10
8. DISPLAY CONNECTION.....	11
9. DISPLAY INSTALLATION.....	12
10. DISPLAY INITIAL SETTING	15
11. EXCHANGING USB CABLE	20
12. USING SOFTWARE	22
13. DISPLAY MAINTENANCE	25
14. TROUBLESHOOTING	26
15. SPECIFICATIONS	27
16. FUNCTION SETTING CONTENTS LIST.....	29

2. SAFETY PRECAUTIONS

In this SAFETY PRECAUTIONS, the following symbols are used to ensure safe and proper use of products and prevent from damaging devices.

 WARNING	Failure to follow the instructions marked with this symbol could result in severe personal injury or death.
 CAUTION	Failure to follow the instructions marked with this symbol could result in minor personal injury or property damage.

■ About symbols



The symbol indicates information which you should pay attention to (including danger and warnings).



The symbol indicates information about prohibited procedures.



indicates "Disassembly is prohibited".



The symbol indicates information about obligated or instructed procedures.










indicates "Remove the USB cable of Display".


OPERATING PRECAUTIONS

The "products" shall collectively mean Display.

WARNING

Never attempt the following. Failure to follow the instructions leads to fire, electric shock, or accident.	
	DO NOT insert any foreign objects such as a piece of metal or any liquid into the products.
	DO NOT touch the terminals of the product. To avoid short circuits, prevent terminals of the product from touching any conductor such as metal.
	Take care not to spill liquid on the products.
	DO NOT touch the products with wet hands.
	DO NOT disassemble or reconstruct the products.
	Keep the terminals of the product away from dust and metal objects.
Be sure to observe the following instructions. Failure to follow the instructions may lead fire, electric shock, or accident.	
	Be sure to use only in countries where the products meet the regulations. Using non-compliant products may endanger the safety of products or be considered against regulations.

Procedures to take when in trouble

Follow the instructions in the following cases. Failure to follow the instructions may lead fire, electric shock, or accident.	
	<p>Remove the USB cable of Display in any of the following cases:</p> <ul style="list-style-type: none"> ◆ Abnormal status continues. ◆ The products are giving off an unusual smell, smoke, excessive heat or unusual noise. ◆ A piece of metal, water or other foreign objects get into the products. ◆ The case is broken.

CAUTION

Observe the following instructions. Failure to follow the instructions may lead fire, electric shock, or accident.



Remove the USB cable of Display when not in use for a long time or before maintenance.



DO NOT use or store the products in the following locations:

- ◆ Locations exposed to direct sunlight or high temperature.
- ◆ Locations exposed to high humidity, a lot of dust, and liquid.
- ◆ Locations subject to strong vibration, or unstable locations.



DO NOT cover the products with a cloth when in use.



Keep the products away from infants and children.

3. OPERATING PRECAUTIONS

Be careful of the following precautions and use the products properly in order to deliver and maintain the full performance of the products.

■ Using Products

Display is a product that is used via a supported Seiko Instruments' printer, or used alone. Do not connect to a printer model that is not described in the Display manual, or to a model that DSP-A01 is not described in the printer manual.

In addition, specifications when Display is used via a printer conform to the printer. Read the manual of the printer to be connected beforehand, and follow the precautions for use.

LCD is made with highly precise technology and effective pixels are 99.99% or more.

Although a dead or stuck pixel may appear on the screen, it is a structural property of LCD and not a malfunction or defective product.

Precautions for use environment

- ◆ Be careful not to drop or bump the products on a hard surface.
 - ◆ DO NOT install the products in direct sunlight.
 - ◆ Be careful about the ambient temperature and humidity.
Suitable environment for the use of the printer is as follows:
 - Range of the temperature : 5°C to 45°C (41°F to 113°F)
 - Range of the humidity : 10%RH to 90%RH (Non condensing)
- See "15. SPECIFICATIONS" for the guaranteed humidity range at each temperature.
- ◆ DO NOT install the products near devices that generate strong magnetism such as a copy machine motor.
 - ◆ DO NOT install the products in a location that is subject to corrosive gas, siloxane and so on.

Precautions on use and operation

- ◆ When handling Display, be aware of static electricity. When the static electricity is discharged, this could cause a USB communication failure. When this problem occurs, remove the USB cable of Display and wait a few seconds before connecting it again.
- ◆ DO NOT drop or insert any foreign objects such as clips, pins, or screws in the internal parts or slot of the products.
- ◆ DO NOT drop any liquid or spray a solvent to the products.
- ◆ NEVER use sharp object such as pen tip to push the switch on the operation panel.
- ◆ Make sure not to injure your body or other objects by the edge of the product.
- ◆ When something goes wrong with Display during use, stop using it immediately.
- ◆ NEVER disassemble Display without a serviceman.

Precautions for maintenance

- ◆ Clean the products' cases using a soft and lint-free cloth when they are dirty. DO NOT use alcohol or other solvent.
- ◆ Before using, clean the terminals using a dry, soft, and lint-free cloth when they are dirty. If the terminals are dirty, it may cause contact failure.
- ◆ Clean the LCD using a dust-free cloth moistened with a small amount of alcohol when it gets dirty. Do not wipe with a dry cloth or tissue.

Precautions for storing

- ◆ Remove the USB cable of Display when not in use.

■ Precautions on Discarding

When discarding used products, discard them according to the disposal regulations and rules in each district.

■ Notation

The following 2 types of notation are used throughout this manual to denote operating precautions and items to remember besides the symbols shown in "2. SAFETY PRECAUTIONS":

NOTE
◆ Operating Precautions

This box contains items that may lead to a malfunction or deterioration of performance when not followed.

HINT
● Items to Remember

This box contains helpful hints to remember when using the products.

4. IDENTIFYING MODEL TYPE

Display model is identified as follows:

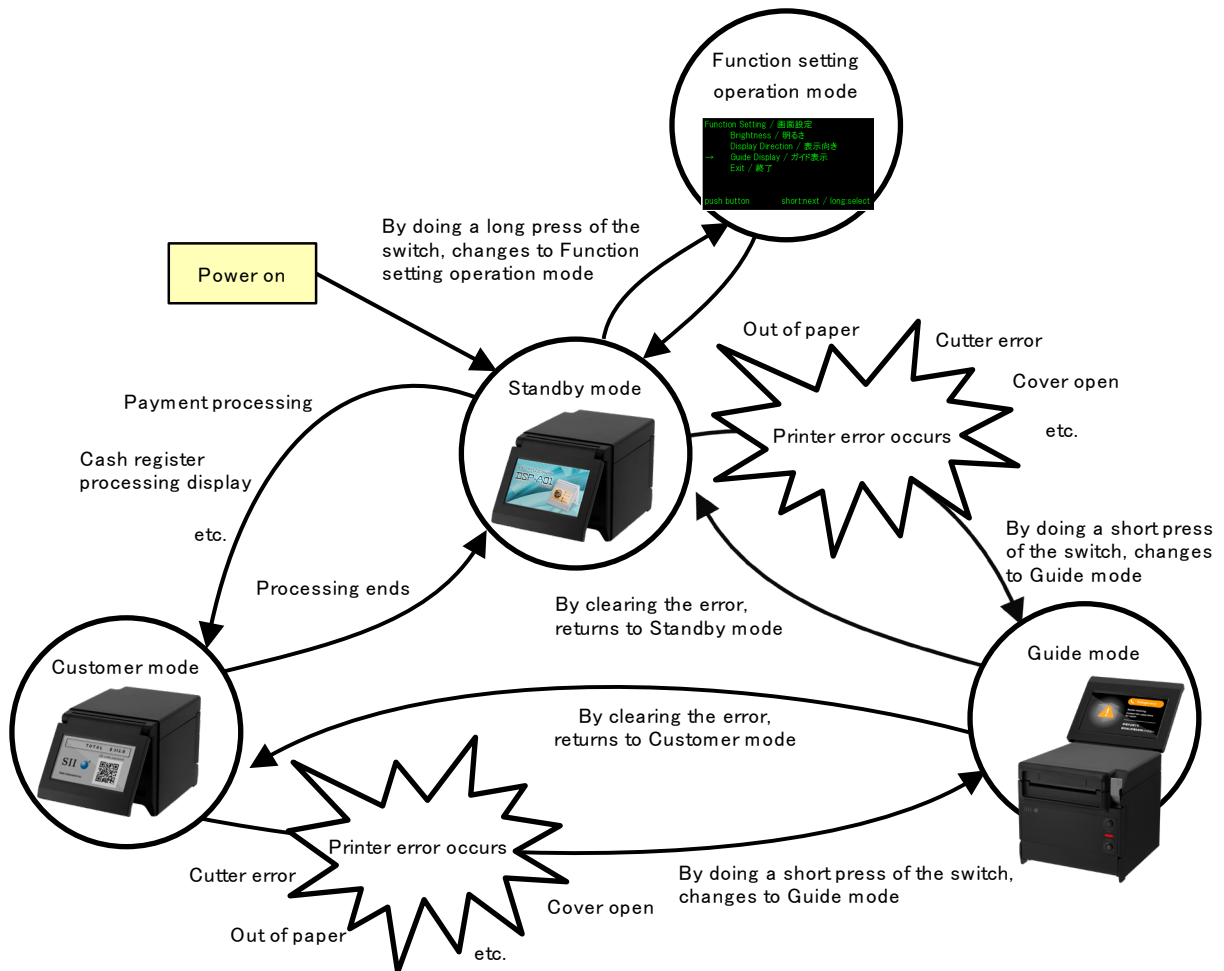


5. DISPLAY MODE

■ Processing image and mode

Display has 4 types of modes.

The processing image is the image of the state at the shipping and the one when Display is used via a printer. The processing may vary depending on the system to be used (such as a POS cash register application).



◆ Standby mode

This is a mode that displays images immediately after power on or during waiting for data.

You can register favorite images as a standby screen or to display multiple images repeatedly as a slide show.

◆ Customer mode

Operation and display contents vary depending on the system to be used.

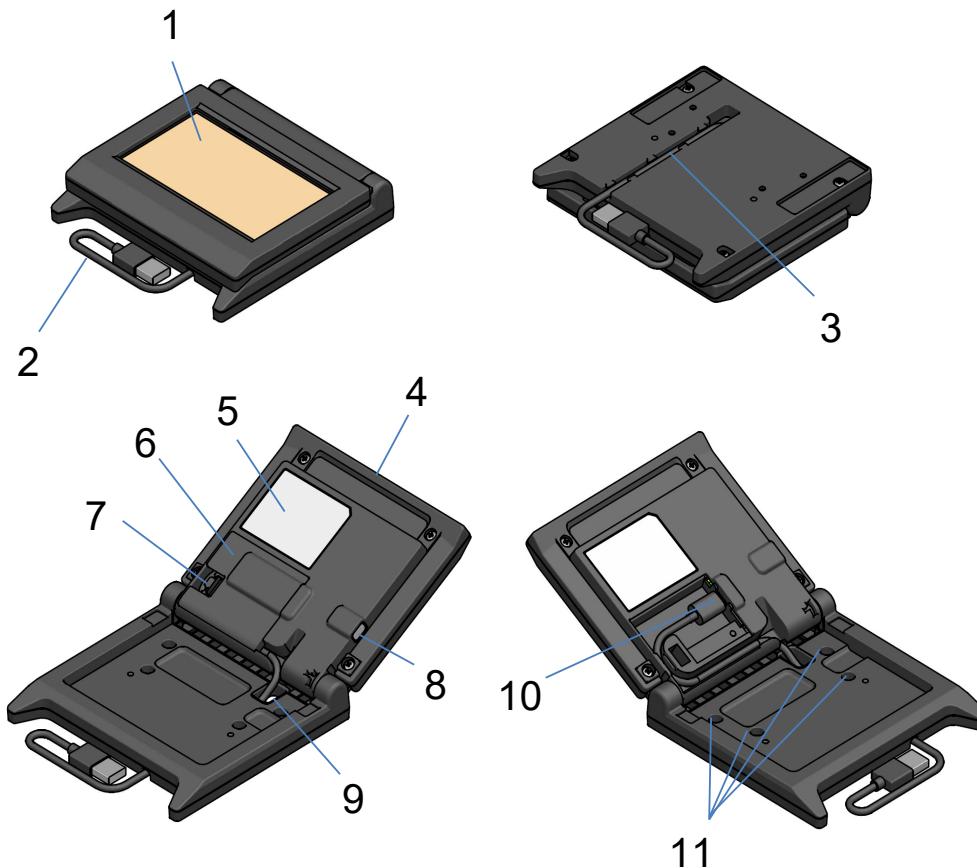
◆ Guide mode

This is a mode that displays the printer status such as printer errors and during Bluetooth pairing mode, and displays the error clearing method. It is can be used when Display and the printer are connected by USB cable.

◆ Function setting operation mode

This is a mode for setting such as a display orientation of Customer mode and Guide mode. Change the function settings according to the installation type of Display.

6. EACH PART OF DISPLAY



1 LCD

The LCD is the screen of Display.

2 USB cable

The USB cable is connected to the printer or the host device.

3 USB cable wiring groove

This is a groove for wiring the USB cable properly.

4 LCD unit

This is a unit of the whole Display including the LCD.

5 Product label

This label indicates the product model name, rated value and serial number.

6 Cable cover

This is a cover for the USB cable and USB connector.

7 Cable cover removal knob

This is a knob for opening the cable cover.

8 Function setting switch

This switch sets the display orientation and changes the orientation of the screen that is being displayed.

In this manual, refers to as the "switch". Pressing this switch for less than 1 second is described as "short press", and pressing this switch for 1 second or more is described as "long press".

9 USB cable through hole

The USB cable is passed through this hole.

10 USB connector

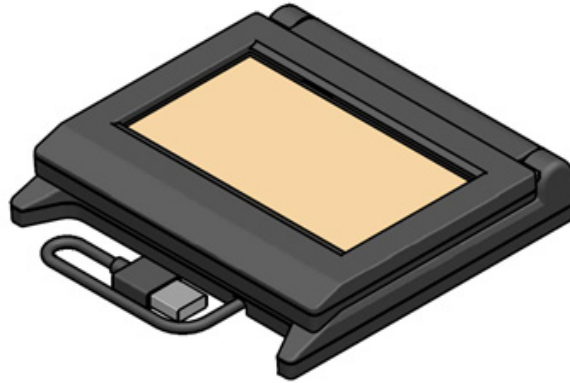
The USB cable is connected to this connector.

11 Attachment screw hole (4 places)

These are screw holes for installing Display on the printer or a wall.

7. PREPARATION

Make sure that Display and its accessories are contained.
Keep the package and packing materials for future transportation or long-term storage.



Display (With USB Cable)



Safety Precautions





Quick Start Guide



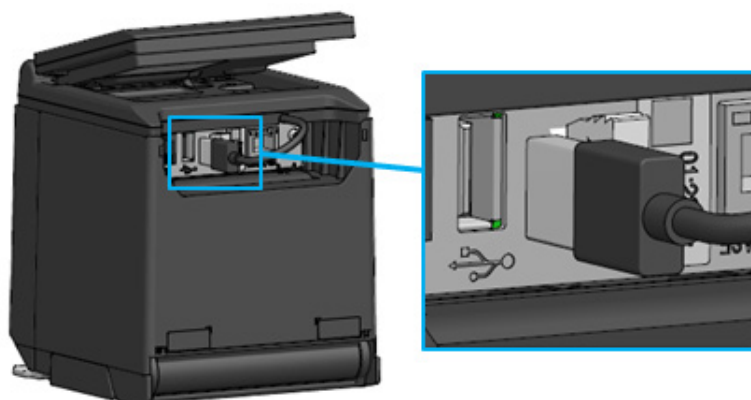
Display Attachment Screw
4 pieces
(Tapping Screw 3 × 6)

8. DISPLAY CONNECTION

There are 2 types for connecting Display.

Connection Method	Connection Image
Connecting to printer	
Connecting to host device	

For connecting to the printer, connect the USB cable to the printer (the USB host connector on the back).



Connection of printer and USB cable

For connecting to the host device, connect the USB cable to the USB connector of the host device. The type of the USB connector that can be connected is "TypeA".

The length of the USB cable connected with Display at the shipping is about 300 mm.

When the cable length is insufficient, exchange it to a commercially available USB cable.




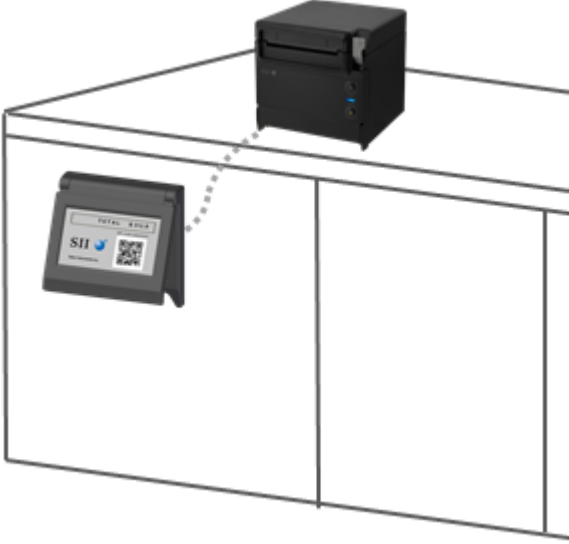
See "11. EXCHANGING USB CABLE" for details of the method for exchanging the USB cable.

NOTE

- ◆ To turn on Display, turn on the printer or host device with the state that Display is connected to the printer or host device.
- ◆ To turn off Display, turn off the printer or host device.
- ◆ Do not remove the USB cable with the state that the Display's power is on.

9. DISPLAY INSTALLATION

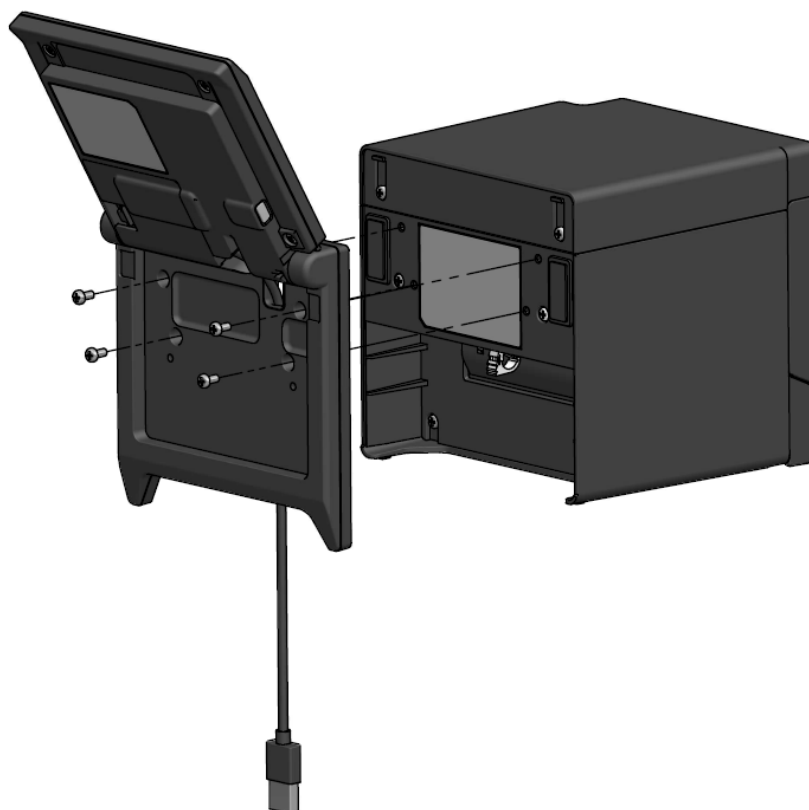
The installation method of Display is as shown in the table below.

Installation Type		Installation Image	Method
Integrated type			See "9.1 Installation Method of Integrated Type".
Stand-alone type	Vertically placed		See "10.1 Initial Setting of Stand-alone Type (Vertically Placed)".
	Horizontally placed		See "10.2 Initial Setting of Stand-alone Type (Horizontally Placed)".
Wall hanging			See "9.2 Installation Method of Wall Hanging".

9.1 Installation Method of Integrated Type

1. Take out the Display attachment screws from the package.
2. Match the screw holes on Display and the printer, and tighten them with 4 Display attachment screws.

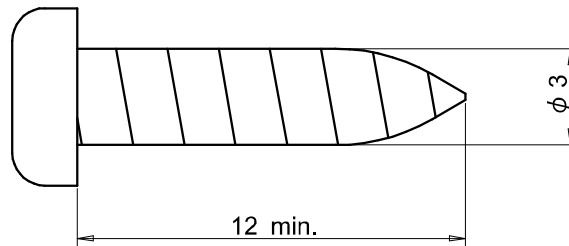
The tightening torque should be 39.2 cN·m (4 kgf·cm).



3. Connect the USB cable to the printer.
See "8. DISPLAY CONNECTION" for connection method.

9.2 Installation Method of Wall Hanging

1. Prepare the commercially available screws that match the screw holes on the back of Display.



Unit: mm

2. See "11. EXCHANGING USB CABLE" when the USB cable is exchanged.
3. Match Display to the installation surface, and tighten them with the 4 screws.
4. Connect the USB cable to the printer or the host device.
See "8. DISPLAY CONNECTION" for connection method.

NOTE




- ◆ Use screws that match the wall material and strength. The wall may be damaged depending on its material.
- ◆ Check the place, materials and structure, and then fix Display on the installation surface securely. Injury or destruction of property might occur by dropping off.
- ◆ We shall not be responsible for damage due to improper installation, insufficient strength, misuse, and natural disasters, etc.

10. DISPLAY INITIAL SETTING




The setting value of function setting items such as the display orientation can be changed by the switch operation of Function setting operation mode.

The setting values are retained even when the host device is turned off or the USB cable of Display is removed.

The setting values at the shipping of function setting items are as shown in the table below.

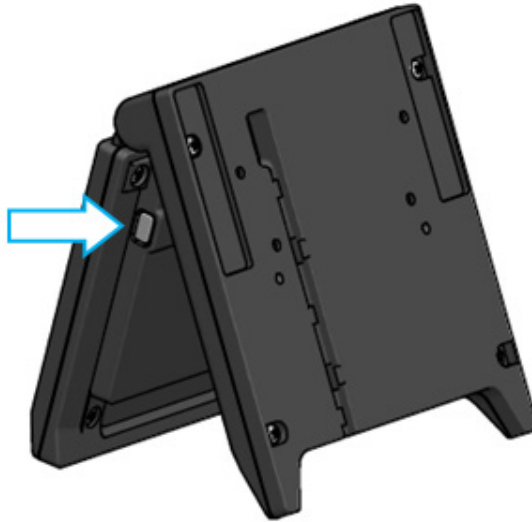
Function Setting Items	Standby Mode	Customer Mode	Guide Mode
		 (example)	
Brightness / 明るさ	100%	100%	100%
Display Direction / 表示向き	No Rotate / 回転なし	No Rotate / 回転なし	-
Guide Display / ガイド表示	-	-	Rotate 180deg. / 180度回転

Set the display orientation according to the installation type of Display.

Installation Type	Installation Image	Method
Integrated type		It can be used as it is.
Stand-alone type (Vertically placed)		See "10.1 Initial Setting of Stand-alone Type (Vertically Placed)".
Stand-alone type (Horizontally placed)		See "10.2 Initial Setting of Stand-alone Type (Horizontally Placed)".

10.1 Initial Setting of Stand-alone Type (Vertically Placed)

1. See "11. EXCHANGING USB CABLE" when the USB cable is exchanged.
2. Connect the USB cable to the printer or the host device, and turn on the printer or the host device.
See "8. DISPLAY CONNECTION" for connection method.
3. Do a long press of the switch indicated by the arrow in the figure.
The LCD changes to the display of Function setting operation mode from Standby mode.



4. By doing a short press of the switch in the "Function Setting / 画面設定" screen, the "→" mark moves to the next item.
Do a short press of the switch to move the "→" mark to "Guide Display / ガイド表示", and do a long press of the switch.



5. Do a short press of the switch to move the "→" mark to "No Rotate / 回転無し", and do a long press of the switch.



6. Make sure that the "◆" mark is displayed at the beginning of "No Rotate / 回転無し".



7. Do a short press of the switch to move the "→" mark to "Exit / 終了", and do a long press of the switch.
8. Do a short press of the switch to move the "→" mark to "Save Setting and Exit / 保存して終了", and do a long press of the switch.

The setting is saved, and the LCD is changed to the display of Standby mode.



HINT

- When this setting is configured, the display orientation of Standby mode, Customer mode and Guide mode is as follows.



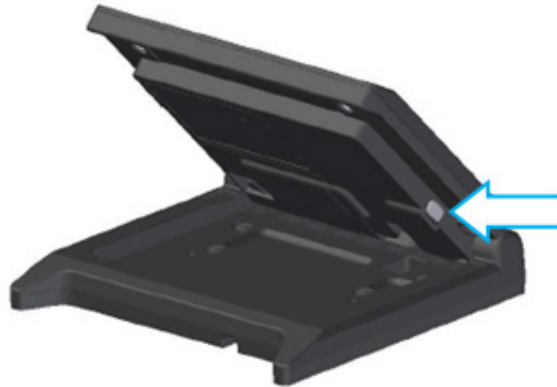
- By doing a long press of the switch at the time of Standby mode, the following function setting items can be changed.
 - Brightness / 明るさ
 - Display Direction / 表示向き
 - Guide Display / ガイド表示
- By doing a long press of the switch at the time of Customer mode, the "Display Direction / 表示向き" of function settings is changed and the display orientation from the next time is rotated 180 degrees.
- By doing a short press of the switch when an error occurs in the printer, changes to Guide mode.

By doing a long press of the switch at the time of Guide mode, the "Guide Display / ガイド表示" of function settings is changed and the display orientation from the next time is rotated 180 degrees.

After the error is cleared, the previous mode is displayed automatically.

10.2 Initial Setting of Stand-alone Type (Horizontally Placed)

1. See "11. EXCHANGING USB CABLE" when the USB cable is exchanged.
2. Connect the USB cable to the printer or the host device, and turn on the printer or the host device.
See "8. DISPLAY CONNECTION" for connection method.
3. Do a long press of the switch indicated by the arrow in the figure.
The LCD changes to the display of Function setting operation mode from Standby mode.



4. By doing a short press of the switch in the "Function Setting / 画面設定" screen, the "→" mark moves to the next item.
Do a short press of the switch to move the "→" mark to "Display Direction / 表示向き", and do a long press of the switch.

```
Function Setting / 画面設定
  Brightness / 明るさ
→  Display Direction / 表示向き
  Guide Display / ガイド表示
  Exit / 終了

press switch      short:select / long:OK
```

5. Do a short press of the switch to move the "→" mark to "Rotate 180deg. / 180度回転", and do a long press of the switch.

```
Display Direction / 表示向き
  ◆ No Rotate / 回転無し
→  Rotate 180deg. / 180度回転
  Back / 戻る
  Exit / 終了

press switch      short:select / long:OK
```

6. Make sure that the "◆" mark is displayed at the beginning of "Rotate 180deg. / 180度回転".

```

Display Direction / 表示向き
No Rotate / 回転無し
→ ◆ Rotate 180deg. / 180度回転
Back / 戻る
Exit / 終了

press switch      short:select / long:OK
  
```

7. Do a short press of the switch to move the "→" mark to "Exit / 終了", and do a long press of the switch.
8. Do a short press of the switch to move the "→" mark to "Save Setting and Exit / 保存して終了", and do a long press of the switch.

The setting is saved, and the LCD is changed to the display of Standby mode.

```

Exit / 終了
→ Save Setting and Exit / 保存して終了
Back / 戻る
Exit / 終了

press switch      short:select / long:OK
  
```

HINT

- When this setting is configured, the display orientation of Standby mode, Customer mode and Guide mode is as follows.



- By doing a long press of the switch at the time of Standby mode, the following function setting items can be changed.
 - Brightness / 明るさ
 - Display Direction / 表示向き
 - Guide Display / ガイド表示
- By doing a long press of the switch at the time of Customer mode, the "Display Direction / 表示向き" of function settings is changed and the display orientation from the next time is rotated 180 degrees.
- By doing a short press of the switch when an error occurs in the printer, changes to Guide mode.

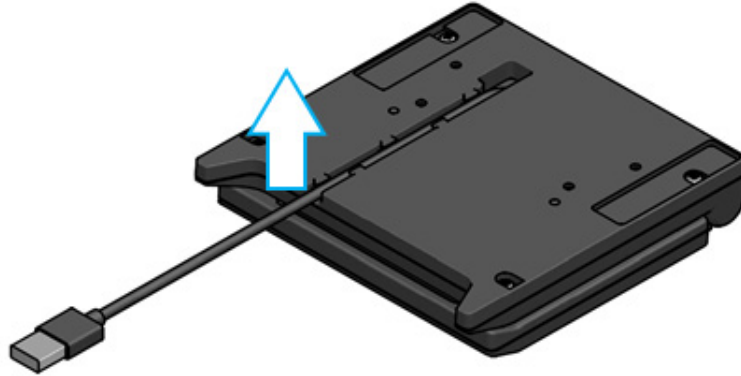
By doing a long press of the switch at the time of Guide mode, the "Guide Display / ガイド表示" of function settings is changed and the display orientation from the next time is rotated 180 degrees.

After the error is cleared, the previous mode is displayed automatically.

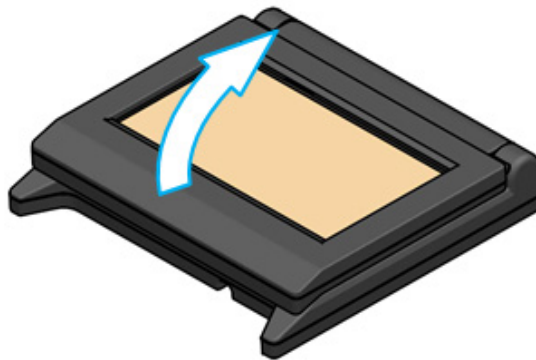
11. EXCHANGING USB CABLE

The length of the USB cable connected with Display at the shipping is about 300 mm. When the cable length is insufficient, exchange it to a commercially available USB cable. This section describes the procedure for exchanging from a connected USB cable to a commercially available USB cable.

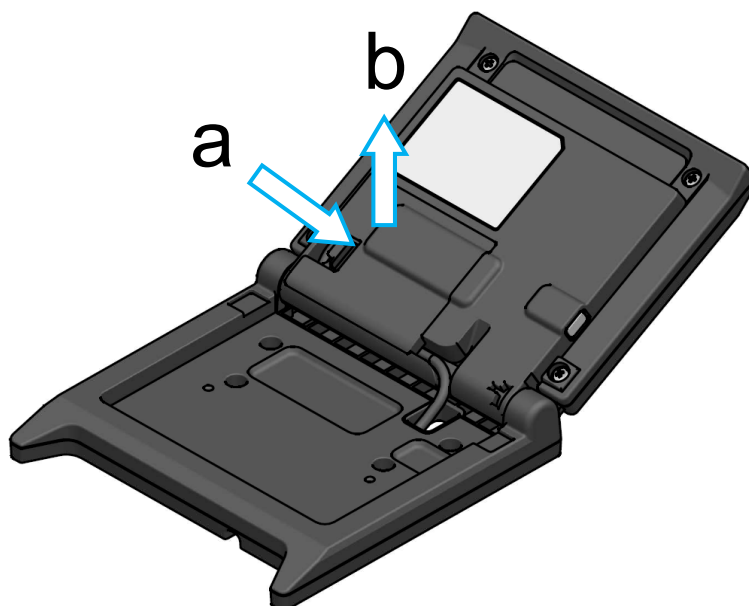
1. Pull out the USB cable from the USB cable wiring groove in the direction of the arrow.



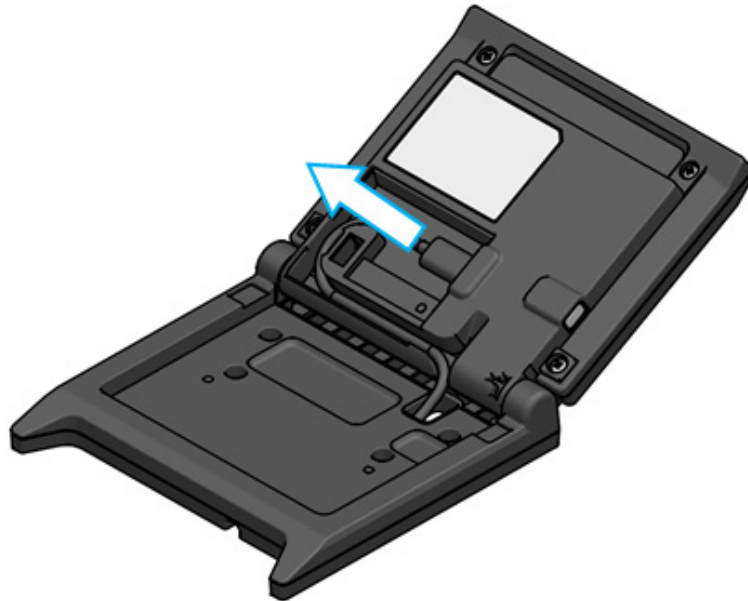
2. Turn over Display and open the LCD unit.



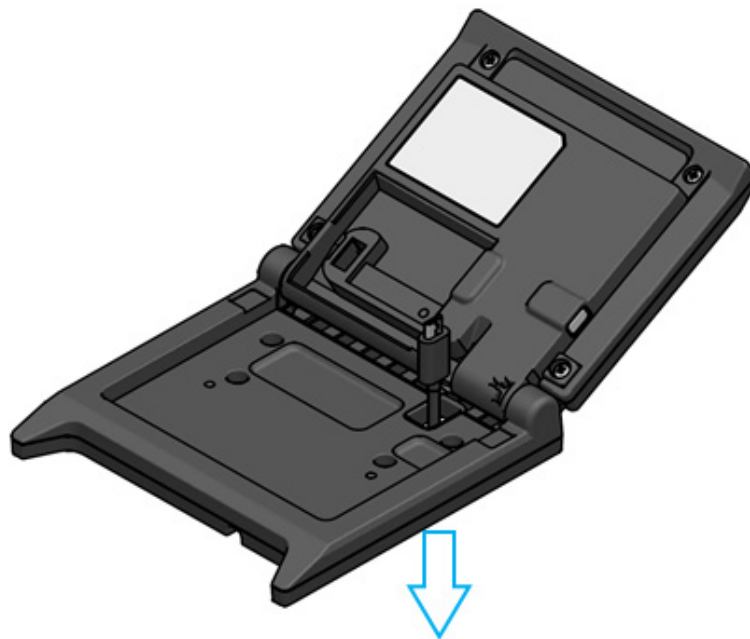
3. Push the cable cover removal knob in the direction of a, then raise it in the direction of b, and remove the cable cover.



4. Unplug the USB cable plug from the USB connector.



5. Remove the USB cable from the USB cable through hole.



6. Attach the USB cable to be exchanged.
For the attachment method, follow the procedure in the reverse order of removal (from step 5 to step 1).

NOTE

- ◆ Do not use a remodeled USB cable.
- ◆ When a commercially available USB cable is used, make sure beforehand that there is no problem with your system environment with the actual device.
- ◆ Use a commercially available USB cable conforming to the USB 2.0 standard and having a length of less than 5 m.

12. USING SOFTWARE

Display provides useful software.

It may not be available depending on the system to be used (such as POS cash register application).

Platform	Software	Description
Windows	SII Printer Driver for Windows	This is software required to use Display. The software is bundled not only with the printer driver but also with the Display driver.
	SII Slideshow Setting Utility	This is utility software that can change Standby mode freely.
	SII Display Setting Utility	This is utility software that can retrieve function settings and hardware information of Display.
Android	SII Slideshow Setting Utility	This is utility software that can change Standby mode freely.
	SII Printer Utility	This is utility software that can perform function settings of Display.
iOS	SII Slideshow Setting Utility	This is utility software that can change Standby mode freely.
	SII Printer Utility	This is utility software that can perform function settings of Display.

12.1 Change Standby Mode with Slideshow Setting Utility

By registering the favorite image as a "slide", Standby mode can be customized. In addition, multiple registered "slides" can be displayed like a slide show.



Standby Mode (Initial Screen)

◆ Preparation

■ Download Slideshow Setting Utility

1. Download Slideshow Setting Utility.
 - For Windows, driver software both of for the printer (RP-F10 series) and Display are packed into one, and this utility software is also bundled in it. Download driver software from the download page listed on the rear cover.
 - For Android, download SII Slideshow Setting Utility from Google Play.
 - For iOS, download SII Slideshow Setting Utility from App Store.

■ Image preparation

2. Prepare an image for Standby mode. Prepare an image (.jpg, .jpeg, or .png) of width 480 pixels × height 272 pixel or less.
 - For Windows and Android, save the image in any folder.
 - For iOS, save the image in "Photo" application.

◆ Change Standby mode

■ Register "slide"

1. Start Slideshow Setting Utility and select "Register Slide" from the menu, and register the image as a "slide" on Display.
 - To show 1 "slide" in Standby mode, register the ID with 91 when the slide is registered.
 - To show multiple "slides" in Standby mode as a slide show, register the ID with other than 91 when the slides are registered.

NOTE

- ◆ Do not register ID 80 to 90 because they are being used for the system.

HINT

- Registration of multiple "slides" is required to register a slide show.
- When the prepared image is smaller than width 480 pixels × height 272 pixels, parts other than the image is white. It is recommended to use an image of width 480 pixels × height 272 pixels for display without white.

◆ Display slide show on Standby mode

■ Register "slide show"

1. Start Slideshow Setting Utility and select "Register Slideshow" from the menu, and arrange "slides" registered in "■ Register "slide"" in order of displaying.
2. After setting the order of "slides" and display time, register a slide show.

HINT

- On the slide show registration screen, it is easy to rearrange the display order of "slides" to be displayed, change "slides", set display time, and register.

12.2 Change Display Function Settings

Various functions can be set in Display according to the conditions of use and intended use. The setting contents are stored in the memory switch in the FLASH memory mounted on Display and can be set by utility software that can perform function settings.

Download utility software that can perform function settings.

- For Windows, driver software both of for the printer (RP-F10 series) and Display are packed into one, and this utility software is also bundled in it. Download driver software from the download page listed on the rear cover.
See "SII Display Setting Utility for Windows User's Guide" for DSP-A01 about the setting method.
- For Android, download SII Printer Utility from Google Play.
- For iOS, download SII Printer Utility from App Store.

See "16. FUNCTION SETTING CONTENTS LIST" about the setting contents of Function Settings.

HINT

- By doing a long press of the switch at the time of Standby mode, the following function setting items can be changed with a simple switch operation.
 - Brightness / 明るさ
 - Display Direction / 表示向き
 - Guide Display / ガイド表示

13. DISPLAY MAINTENANCE

■ Cleaning LCD

1. Remove the USB cable of Display.
2. Clean the LCD using a dust-free cloth moistened with a small amount of alcohol.

NOTE

- ◆ Be careful that alcohol does not enter inside the LCD. It will be the cause of the failure.
- ◆ Do not wipe with a dry cloth or tissue. It will be the cause of deterioration of the LCD.

14. TROUBLESHOOTING

Check the following points before requesting for repair:

■ Display does not show or connect

- Is the interface cable connected correctly?
- Do the specifications of the interface cable conform to its specifications of this manual?
- Is the communication condition with the host device correct?

■ An error is shown on Guide mode

- It is a printer error. Follow the guidance of Guide mode.
- See user's guide of the printer for details of printer error.

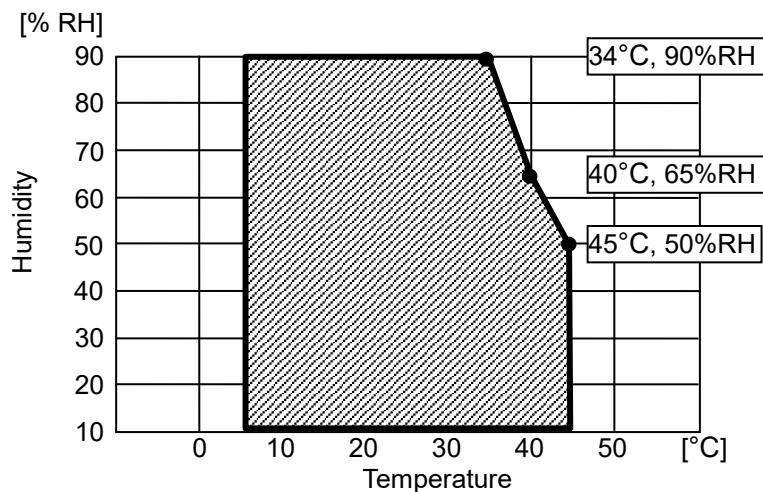
15. SPECIFICATIONS

■ Display Specifications

Item	Specification
Model	DSP-A01
Screen size	4.3 inch
LCD type	TFT LCD
Number of pixels (W × H)	WQVGA (480 px × 272 px)
Pixel pitch (W × H)	0.198 mm × 0.198 mm
Color	ARGB1555 (16 bit), RGB565 (16 bit)
Luminance	300 cd/m ² or more (Brightness Selection: 100%)
Viewing angle (up / down / left / right)	40 deg. / 50 deg. / 50 deg. / 50 deg. (vertically placed)
Opening and closing angle	0 to 150 deg.
Operating temperature	5°C to 45°C (41°F to 113°F)
Relative humidity* ¹	10%RH to 90%RH
Dimensions (W × D × H)	120 mm × 25 mm × 122 mm* ²
Mass	Approx. 260 g (excluding the USB cable)
Input voltage	DC5.0 V ±5%
Current consumption	Waiting : Approx. 0.3 A max. Operating : Approx. 0.5 A max.

*1: The guaranteed humidity at each temperature is within the range as shown in the figure below.

*2: Excluding projections



Operating Temperature and Humidity Range

■ USB Cable Specifications

(Connected to Display at the shipping)

Item	Specification
Model	IFC-U05-1
Color	Black
Length	Approx. 300 mm
Plug C1	Series "A" plug
Plug C2	Series "micro-B" plug

■ Sale Destinations

Sale destinations for Display are listed below.

✓: Sale Destinations

Country/Region*	DSP-A01-x1
Japan	✓
EU, EFTA, UK	✓
Turkey	✓
USA, Canada	✓
Brazil	✓

*: Ask your SII sales representative when you want to operate the products in countries/regions other than those listed above.

16. FUNCTION SETTING CONTENTS LIST

: Default value
 "MS" means Memory Switch.

General Setting 1

MS	Function	Value	
		0	1
1-1 to 8	Brightness Selection (Brightness)	00000000B : 10% 00000001B : 20% 00000010B : 30% 00000011B : 40% 00000100B : 50% 00000101B : 60% 00000110B : 70% 00000111B : 80% 00001000B : 90% 00001001B: 100% Other than those above: Prohibition	

General Setting 2

MS	Function	Value	
		0	1
4-1	Initialized Response Selection (Init. Response)	Enable	Disable
4-2	Display Direction Selection (Display Direction)	Rotate 180 degrees (Rotate 180deg.)	No Rotate
4-3	Guide Display Selection (Guide Display)	Rotate 180 degrees (Rotate 180deg.)	No Rotate
4-4	Guide Display Automatic Switching Selection (Auto Guide Display)	Enable	Disable
4-5 to 8	Reserved	-	Fixed

HINT

- By doing a long press of the switch at the time of Standby mode, the following function setting items can be changed with a simple switch operation.
 - Brightness / 明るさ選択 (MS1-1 to 8)
 - Display Direction / 表示向き選択 (MS4-2)
 - Guide Display / ガイド表示選択 (MS4-3)
- See "12.2 Change Display Function Settings" about changing function settings using utility software.

General Setting 3

MS	Function	Value	
		0	1
5-1	Out-of-paper Event Display Selection (Paper Empty Event)	Enable	Disable
5-2	Cover Open Event Display Selection (Cover Open Event)	Enable	Disable
5-3	Hardware Error Event Display Selection (H/W Error Event)	Enable	Disable
5-4	Head Temperature Error Event Display Selection (Head Temperature Error Event)	Enable	Disable
5-5	Vp Voltage Error Event Display Selection (Vp Voltage Error Event)	Enable	Disable
5-6	Cutter Error Event Display Selection (Cutter Error Event)	Enable	Disable
5-7	Bluetooth Pairing Event Display Selection (Bluetooth Pairing Event)	Enable	Disable
5-8	Reserved	-	Fixed

HINT

- "General Setting 3" is valid when Display is connected to the printer.
It is can be set whether or not to display in Guide mode when a printer error occurs.

Character Code Table Setting

MS	Function	Value	
		0	1
8	Character Code Table Setting (Character Code Table)	00000000B: USA, Standard Europe (Code Page437) 00000001B: Katakana 00000010B: Multilingual (Code Page850) 00000011B: Portuguese (Code Page860) 00000100B: Canadian-French (Code Page863) 00000101B: Nordic (Code Page865) 00001101B: Turkish (Code Page857) 00001110B: Greek (Code Page737) 00001000B: Latin (Code Page1252) 00001001B: Russian (Code Page866) 00001010B: Eastern Europe (Code Page852) 00001011B: Euro (Code Page858) 00100010B: Cyrillic (Code Page855) 00100101B: Arabic (Code Page864) 00101101B: Central European (Code Page1250) 00101110B: Cyrillic (Code Page1251) 00101111B: Greek (Code Page1253) 00110000B: Turkish (Code Page1254) Other than those above: Prohibition	

International Character Selection

MS	Function	Value	
		0	1
9	International Character Selection (International Character)	00000000B: USA 00000001B: France 00000010B: Germany 00000011B: UK 00000100B: Denmark I 00000101B: Sweden 00000110B: Italy 00000111B: Spain I 00001000B: Japan 00001001B: Norway 00001010B: Denmark II 00001011B: Spain II 00001100B: Latin America 00010001B: Arabia Other than those above: Prohibition	

SII



Seiko Instruments Inc.
1-8, Nakase, Mihama-ku, Chiba-shi,
Chiba 261-8507, Japan
Print System Division
Telephone:+81-43-211-1106
Facsimile:+81-43-211-8037

Seiko Instruments USA Inc.
Thermal Printer Div.
21221 S. Western Avenue, Suite 250, Torrance, CA 90501, USA
Telephone:+1-310-517-7778 Facsimile:+1-310-517-7779

Seiko Instruments GmbH (Economic operator)
Siemensstrasse 9, D-63263 Neu-Isenburg, Germany
Telephone:+49-6102-297-0 Facsimile:+49-6102-297-50100
info@seiko-instruments.de

Seiko Instruments Trading (H.K.) Ltd.
7/F, Ying Tung Industrial Building, 802 Lai Chi Kok Road, Kowloon, Hong Kong
Telephone:+852-2494-5111 Facsimile:+852-2424-0901

Seiko UK Ltd. (Authorized Representative in the United Kingdom)
SC House, Vanwall Road, Maidenhead, Berkshire, SL6 4UW

Download page:<https://www.sii.co.jp/sps/eg/download/index.html>

(Specifications are subject to change without notice.)